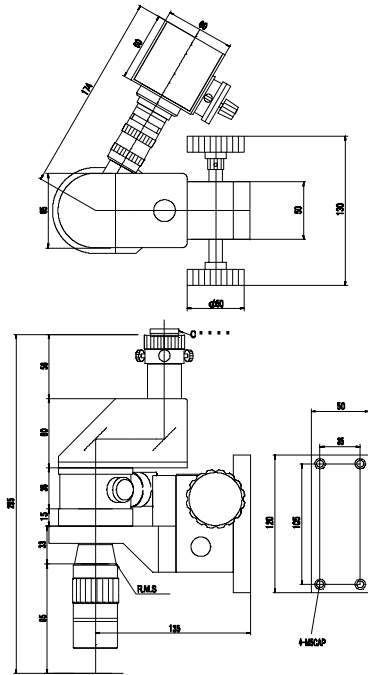


MS-APO

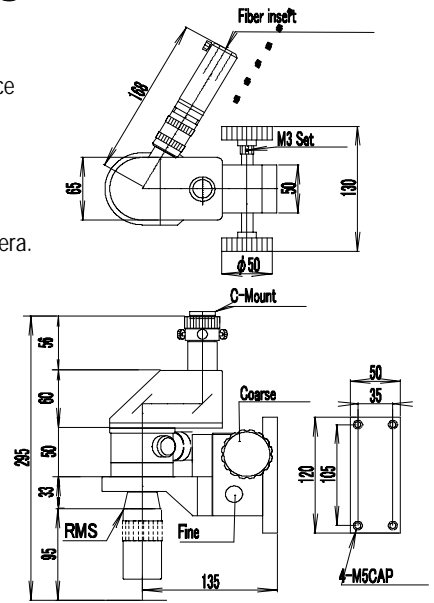


The MS-APO tube utilizes our line of M. Plan APO super long working distance objective lenses. A f=200mm tube lens forms an image from the M. Plan APO objective through the C-mount on the CCD camera. High magnification/high resolution observation at a long working distance can be achieved.



MS-APO-S

The MS-APO tube utilizes our line of M. Plan APO super long working distance objective lenses. A f=200mm tube lens forms an image from the M. Plan APO objective through the C-mount on the CCD camera. High magnification/high resolution observation at a long working distance can be achieved.



Specifications:

Objective Lens	Select from below
Illumination	Coaxial Illuminator with 6V20W Halogen Lamp H (includes FA-620 Power Supply) Illumination
Weight	3.2kg
Mount	C-mount

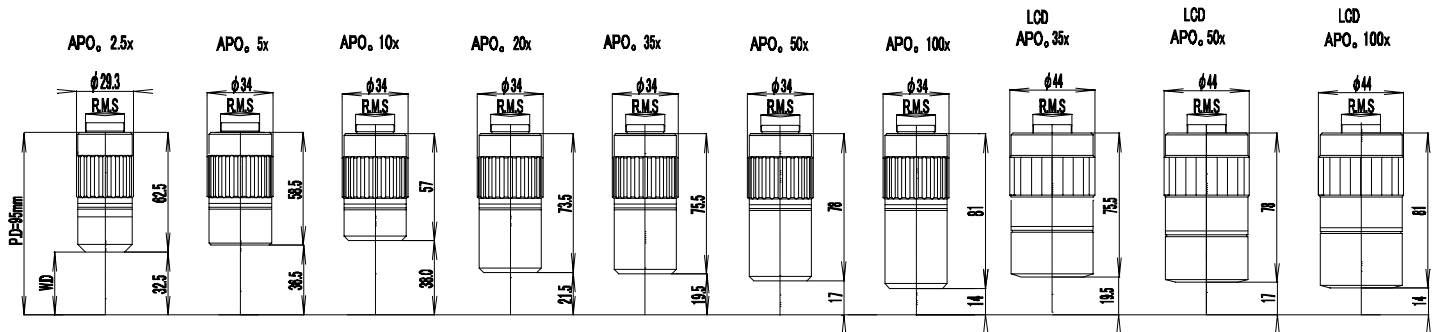
Specifications:

Objective Lens	Select from below
Illumination	Coaxial Illuminator with 6V20W Halogen Lamp House (includes FA-620 Power Supply) Illumination
Mount	C-mount
Weight	3kg



Objective Lens APO series Specifications List M. Plan APO SLIM

Model	M. Plan APO2.5x	M. Plan APO5x	M. Plan APO10x	M. Plan APO20x	M. Plan APO35x	M. Plan APO35x LCD	M. Plan APO50x	M. Plan APO50x LCD
L.W.D	2.5x	5x	10x	20x	35x	35x	50x	50x
W.D.	32.5	36.1	39.0	22.5	21.7	19.9	18.3	17.0
f	80.0	40.0	20.0	10.0	5.7	5.7	4.0	4.0
N.A	0.06	0.16	0.23	0.35	0.40	0.45	0.40	0.55

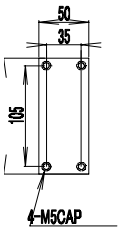


お問合せ先: 株式会社清和光学製作所
 〒164-0013 東京都中野区弥生町4-12-17
 TEL: 03-3383-6301 (JAPAN)
 FAX: 03-3383-6304 (JAPAN)
 e-mail: seiwaopt@mx1.alpha-web.ne.jp

Contacts: SEIWA OPTICAL AMERICA INC.
 3106 Patrick Henry Drive, Santa Clara, CA95054, U.S.A
 TEL: 408-844-8008
 FAX: 408-844-8944
 e-mail: takashima@seiwaamerica.com



ion Type)



ouse



M.Plän APO100 × LCD
100 ×
14.0
2.0
0.65

LCD
APO, 100x

